

# OBIA Blade Sign Grant Program

## Overview

The Orangeville BIA (OBIA) recognizes the importance of effective signage to brick & mortar businesses and specifically, the effectiveness of blade (projecting) signage to attract pedestrians. The Downtown Orangeville Blade Sign Grant is intended to provide financial assistance to OBIA Members who add an approved blade (projecting) sign to their commercial facade.

## Responsibilities

### The OBIA will:



- Assist applicants with Blade Sign Grant application and related inquiries.
- Approve grant applications & distribute funds to approved applicants.

### The Applicant is responsible for (but not limited to) the following:

- Applying for a sign permit
- Purchase of the blade sign
- Design of the sign face, etc.
- Pre-payment of any fees/costs as required by the Town or sign company

## Coverage

The grant will cover up to a maximum of \$635 CAD for the following eligible expenses:

 <ul style="list-style-type: none"><li>✓ Purchase of Sign (sign face/sign frame/sign bracket)</li><li>✓ Installation of the sign</li><li>✓ Town of Orangeville Sign Permit Fee</li></ul>	 <ul style="list-style-type: none"><li>✗ Graphic Design for the sign</li><li>✗ Taxes</li><li>✗ Insurance</li></ul>
---	---

## Eligibility

### To be eligible:

- **The sign face must identify the nature of the business or what one might find inside, not just the business name (example: “Books & Games”, “Bistro”, “Art Supplies”)**
- The applicant must be authorized to apply on behalf of the business and/or property owner.
- The property owner must agree to the installation of the sign.
- The sign must be installed on a commercial property located within the boundaries of the OBIA.
- The sign must be approved by the Town of Orangeville through the Town’s sign permit process, including Heritage Orangeville approval (if necessary).
- You can find the Town’s Sign Permit Application Form here:  
<https://www.orangeville.ca/en/town-hall/resources/Documents/Sign-Permit-Application.pdf>
- Applicant must provide the OBIA with a copy of a valid Town of Orangeville sign permit.
- Proof of purchase (i.e., copy of purchase, installation and/or permit fee invoices) must be provided.

### Please note:

- **The Town of Orangeville requires that the sign must be included as part of your commercial liability insurance policy.**
- The Town of Orangeville no longer requires signs to be installed by a Town-licensed sign installer however, we highly recommend that the sign is installed by a professional.
- A Road Occupancy Permit may be required for the installation of your sign, so be sure to ask about this when you submit your Permit Application to the Town.
- You can find the Road Occupancy Permit Form here:  
<https://www.orangeville.ca/en/living-here/resources/Documents/Road-Occupancy-Permit.pdf>
- Once your grant application has been submitted and approved, it could take 2-3 weeks before your cheque is ready.

## Choosing A Sign Frame

### Fast Track Option - Pre-approved Sign Frame:

Three sign frame designs have been pre-approved by Heritage Orangeville and the Town of Orangeville. Choosing one of these pre-approved frame options (shown below) will allow for a quicker and cheaper Orangeville Sign Permit process. These pre-approved sign frame designs can be purchased from the following companies:

Red Iron Design: <https://redirondesign.ca/>

Sign Bracket Store: <https://www.signbracketstore.com/>

A local sign company may also be able to make you one of the pre-approved signs. See the Grant FAQ's for a list of local sign companies.

### Standard Option – Custom or Other Sign Frame:

Members can opt for a custom or alternative stock frame design and proceed through the standard Town of Orangeville Sign Permit process.

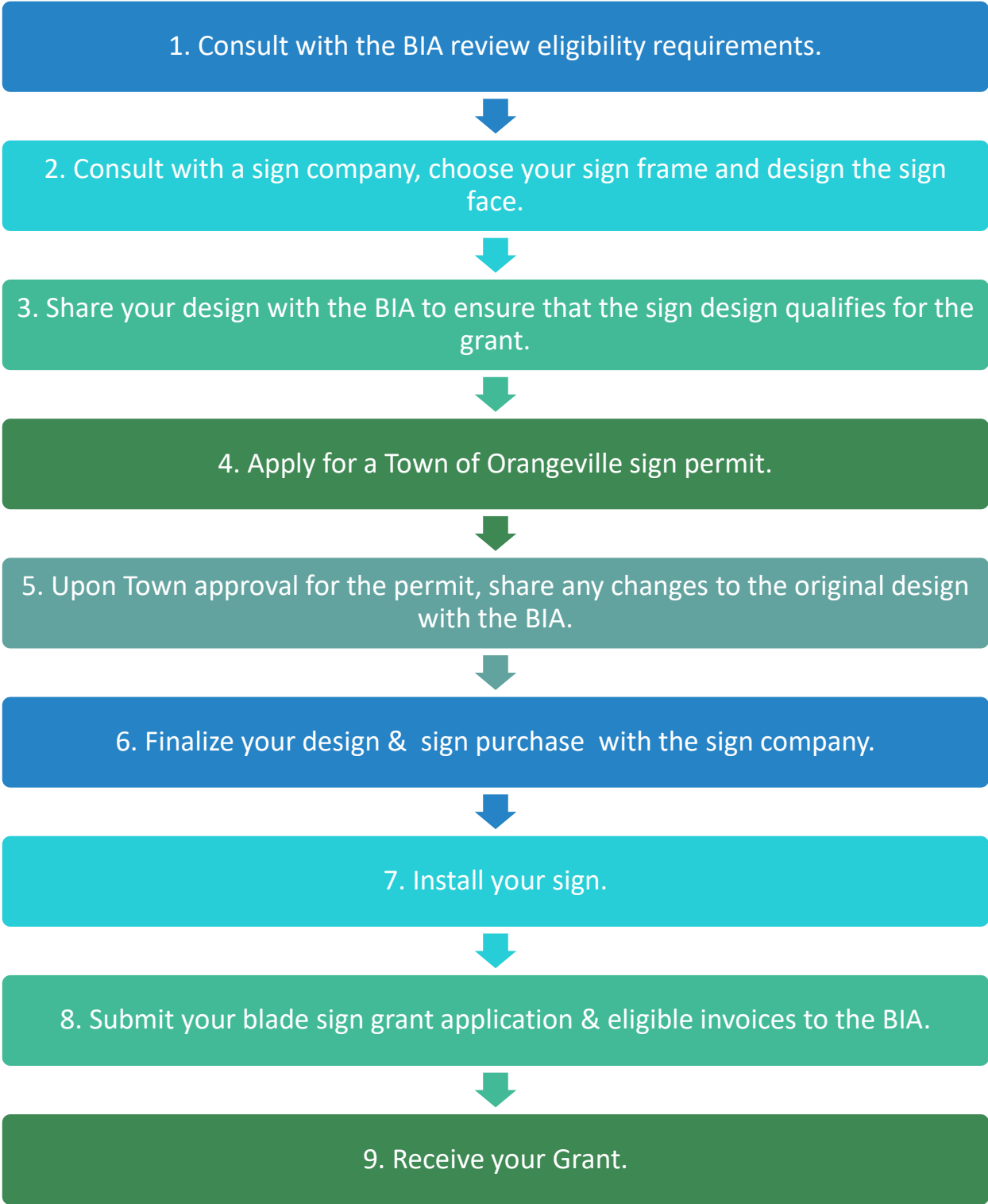
#### Fast-Track

- These 3 pre-approved designs qualify for a reduced sign permit fee of \$50 (normally \$100);
- These 3 pre-approved designs meet all Town of Orangeville sign bylaw requirements.
- **A Town of Orangeville Sign Permit is required.**

#### Standard

- All signs must meet the requirements of the Town of Orangeville's sign bylaw and be approved by Heritage Orangeville.
- Town of Orangeville Blade Sign Permit fee starts at \$100.
- **A Town of Orangeville Sign Permit is required.**

**Blade Sign Grant Application Process :**



**We strongly recommend contacting us in advance of your blade sign purchase to review the grant requirements.**

# Blade Sign Grant Application Form

**Business Name:**

---

**Applicant's Name and Title (example: Owner, Manager etc.):**

---

**Business Address where the sign will be installed:**

---

**Contact Number:**

---

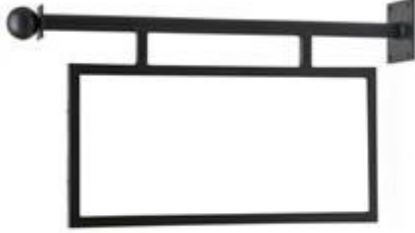


**Email Address:**

---

**Attach copies of the following:**

- Sign frame purchase invoice
- Sign Installation invoice (if claiming reimbursement)
- Copy of the approved Town of Orangeville Sign Permit
- Image or content of the sign face

**Fast-Track Option / OBIA pre-approved frames** - Please indicate your chosen frame design below.

	<p><b>Preapproved Style 1 – Rectangle Frame, up to 40” in size</b></p> <p>Available from:</p> <ul style="list-style-type: none"><li>• <a href="https://redirondesign.ca/">https://redirondesign.ca/</a></li><li>• <a href="https://www.signbracketstore.com/">https://www.signbracketstore.com/</a></li><li>• And local suppliers as listed in the FAQ section of this document</li></ul>
	<p><b>Preapproved Style 2 – Oval Design, up to 40” in size</b></p> <p>Available from:</p> <ul style="list-style-type: none"><li>• <a href="https://redirondesign.ca/">https://redirondesign.ca/</a></li><li>• <a href="https://www.signbracketstore.com/">https://www.signbracketstore.com/</a></li><li>• And local suppliers as listed in the FAQ section of this document</li></ul>
	<p><b>Preapproved Style 3 – Basic Design, up to 40” in size</b></p> <p>Available from:</p> <ul style="list-style-type: none"><li>• <a href="https://redirondesign.ca/">https://redirondesign.ca/</a></li><li>• <a href="https://www.signbracketstore.com/">https://www.signbracketstore.com/</a></li><li>• And local suppliers as listed in the FAQ section of this document</li></ul>

**Standard Option / Custom or Other Sign Frame**

Please attach an image or drawing of the chosen frame and include specifications, including dimensions and materials:

By signing and completing this document, I confirm that I have read, understood and agree to comply with the eligibility requirements of the Blade Sign Grant Program, and that I am authorized to apply for the Downtown Orangeville Blade Sign Grant on behalf of the business and/or property owner.

Name (Print):

---

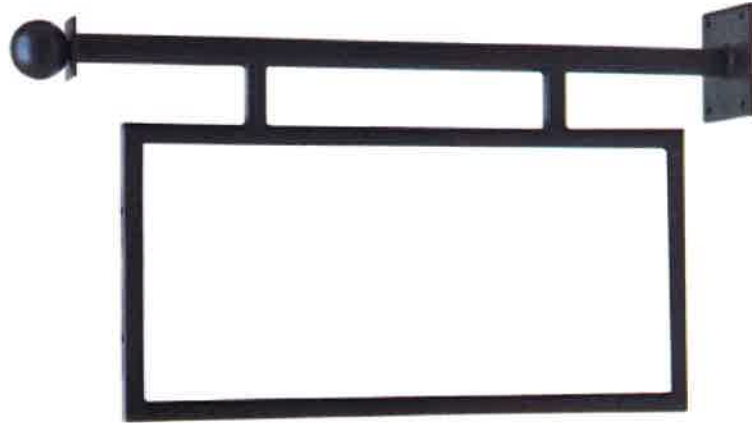
Signature:

---

Date:

---

[Home](#) / [Sign Brackets](#) / Bel Forte Sign Bracket with Framed (non-swinging) Sign Frame. Comes with 30"x15"x1" thick sign blank



## Bel Forte Sign Bracket with Framed (non-swinging) Sign Frame. Comes with 30"x15"x1" thick sign blank

[Be the first to review this product](#)

**\$329.99** *USD*

In stock

Ships In 2-3 Weeks

SKU#: 387B-35-3015-REC100

Qty

ADD TO CART



[DETAILS](#)[MORE INFORMATION](#)[REVIEWS](#)[DOWNLOADS \(1\)](#)

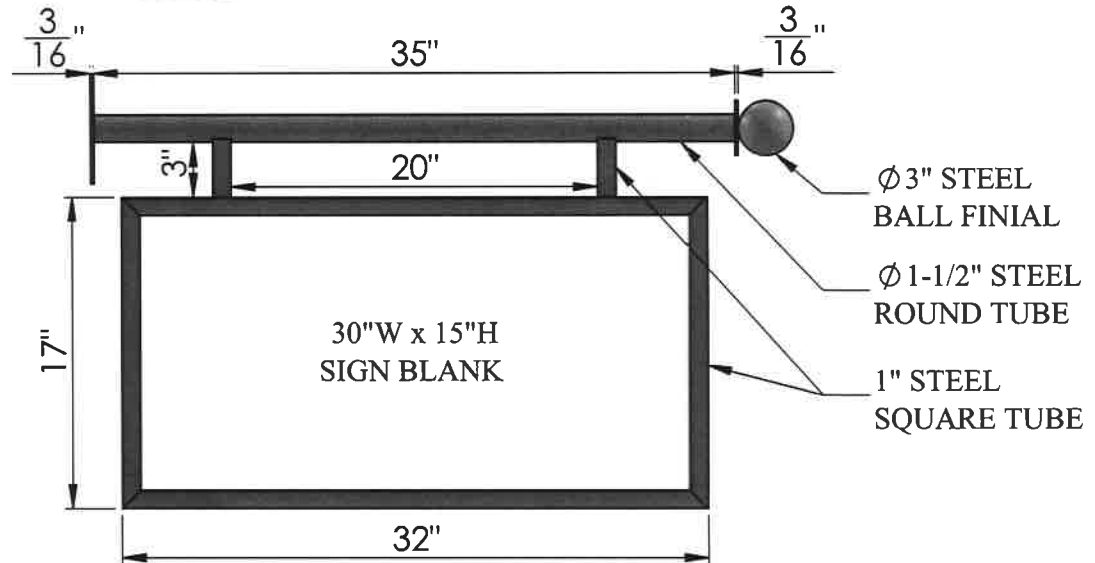
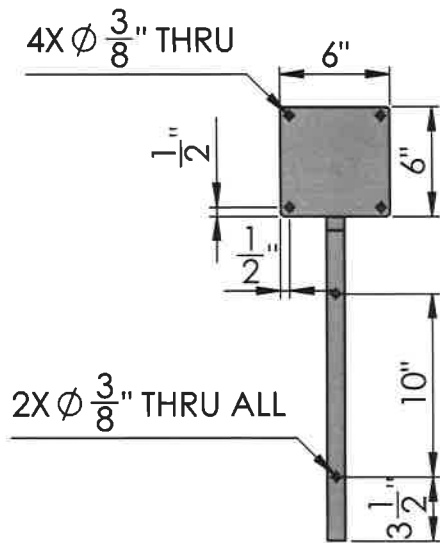
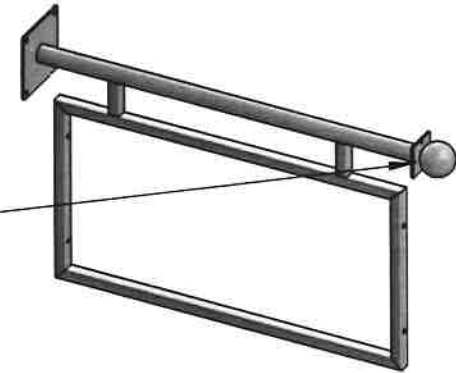
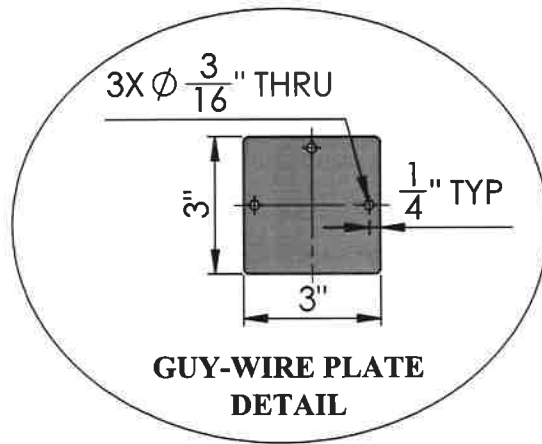
Classic, sleek, and substantial, are just a few of the ways to describe the Bel Forte Sign Bracket. From the sturdy sign bracket to the thickness of the sign frame, all elements come together to secure and elevate your company's sign and image. Included with the Bel Forte Sign Bracket is a sign blank proportioned perfectly for maximum impact.

### Features & Benefits

- Stationary (non-swinging) fixed design
- Crafted from steel for maximum strength
- Powder-coated in black for enduring beauty and protection
- PVC Sign blank, 30" x 15" x 1", included
- Mounting plate with four pre-drilled holes for easy installation

[DETAILS](#)[MORE INFORMATION](#)[REVIEWS](#)[DOWNLOADS \(1\)](#)

<b>Length</b>	35"
<b>Height</b>	6"
<b>Width</b>	6"
<b>Sign Size</b>	30"W x 15"H
<b>Material</b>	Iron
<b>Style</b>	Fixed



- Ø 3" STEEL BALL FINIAL
- Ø 1-1/2" STEEL ROUND TUBE
- 1" STEEL SQUARE TUBE

Date: 05/2015  
Scale: NTS  
CB:  
Order#:

Content: Bel Forte Sign Bracket with Framed (Non-Swinging) Sign  
PN: 387B-35-3015-BF  
Color/Finish: Textured Black Powder Coat  
Customer Approval: \_\_\_\_\_

Design by Sign Bracket Store. All visual representations and designs are the intellectual property of Sign Bracket Store and protected under copyright law. Any duplication of this design is in direct violation of the law and will result in legal action.  
© Copyright 2008-2015

**SIGN BRACKET STORE**  
By Hooks & Lattice  SignBracketStore.com

T: 888-919-7446

F: 760-603-0812



## 40" Milano Sign Bracket with Fixed Frame and Sign Blank

[Be the first to review this product](#)

**\$268.85** *USD*

In stock

Ships In 1-3 Weeks, call for availability

SKU#: 371B-40-2617-FRM

### Bracket Features:

- Constructed from 1/2" commercial grade powder coated steel square bar
- 1"x1/8" Steel flat bar oval sign frame includes 26"x17" PVC sign blank

Qty

1

ADD TO CART

[DETAILS](#)

[MORE INFORMATION](#)

[REVIEWS](#)

[DOWNLOADS \(1\)](#)

Our popular Milano bracket, constructed with an oval frame for a "non-swinging" sign concept. Fabricated out of steel, the bracket arm is "solid steel square bar with" solid steel square bar scrolls. Sign frame is fabricated from 1" flat bar, and the oval sign blank fits snugly inside the sturdy frame, and is bolted in place. To ensure the oval sign blank fits perfectly, custom 1" thick oval PVC sign blank is included. Custom sizes also available. Due to the dimensions of this product, please contact us at 1-888-919-7446 or e-mail for an accurate shipping quote.

DETAILS

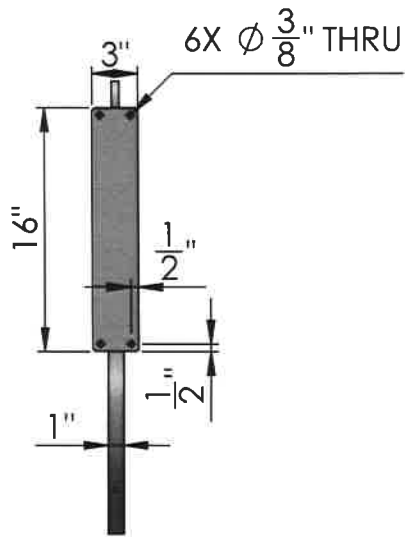
MORE INFORMATION

---

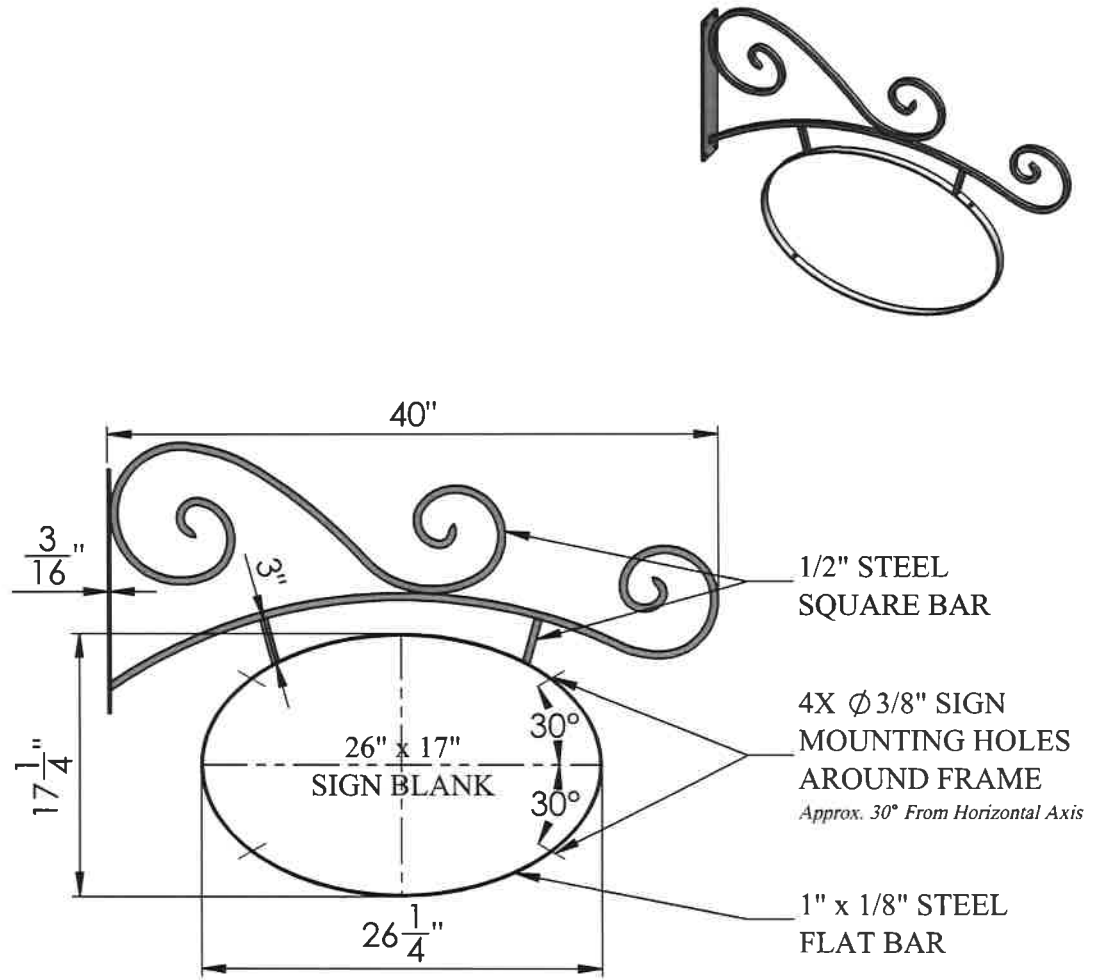
REVIEWS

DOWNLOADS (1)

<b>Length</b>	40'
<b>Height</b>	16'
<b>Width</b>	3'
<b>Sign Size</b>	23"W x 17"H
<b>Material</b>	Iron
<b>Shape</b>	Oval, Round
<b>Style</b>	Fixed, Round



**SIDE VIEW**



**FRONT VIEW**

Date: 05/2015  
Scale: NTS  
CB:  
Order#:

Content: 40" Milano Sign Bracket with Stationary Oval Frame  
PN: 371B-40-2617-FRM  
Color/Finish: Textured Black Powder Coat  
Customer Approval: \_\_\_\_\_

Design by Sign Bracket Store. All visual representations and designs are the intellectual property of Sign Bracket Store and protected under copyright law. Any duplication of this design is in direct violation of the law and will result in legal action.  
© Copyright 2008-2015

**SIGN BRACKET STORE**  
By Hooks & Lardice  
SignBracketStore.com

T: 888-919-7446

F: 760-603-0812



## 40in. Modular Wall Mount Sign Bracket Kit

[Be the first to review this product](#)

**\$129.85 USD**

In stock

Ships In 2-3 Business Days

SKU#: 404B-AR-40

Qty

1

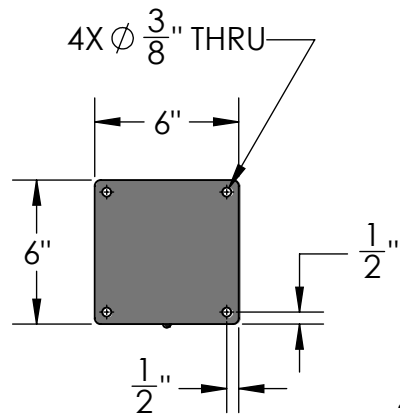
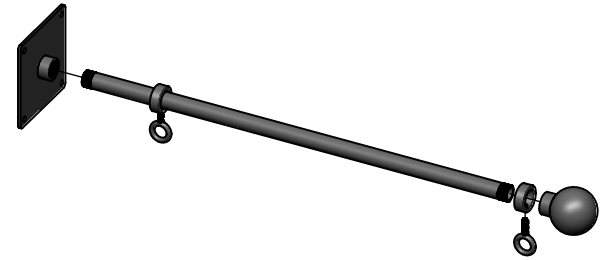
ADD TO CART

### — OVERVIEW

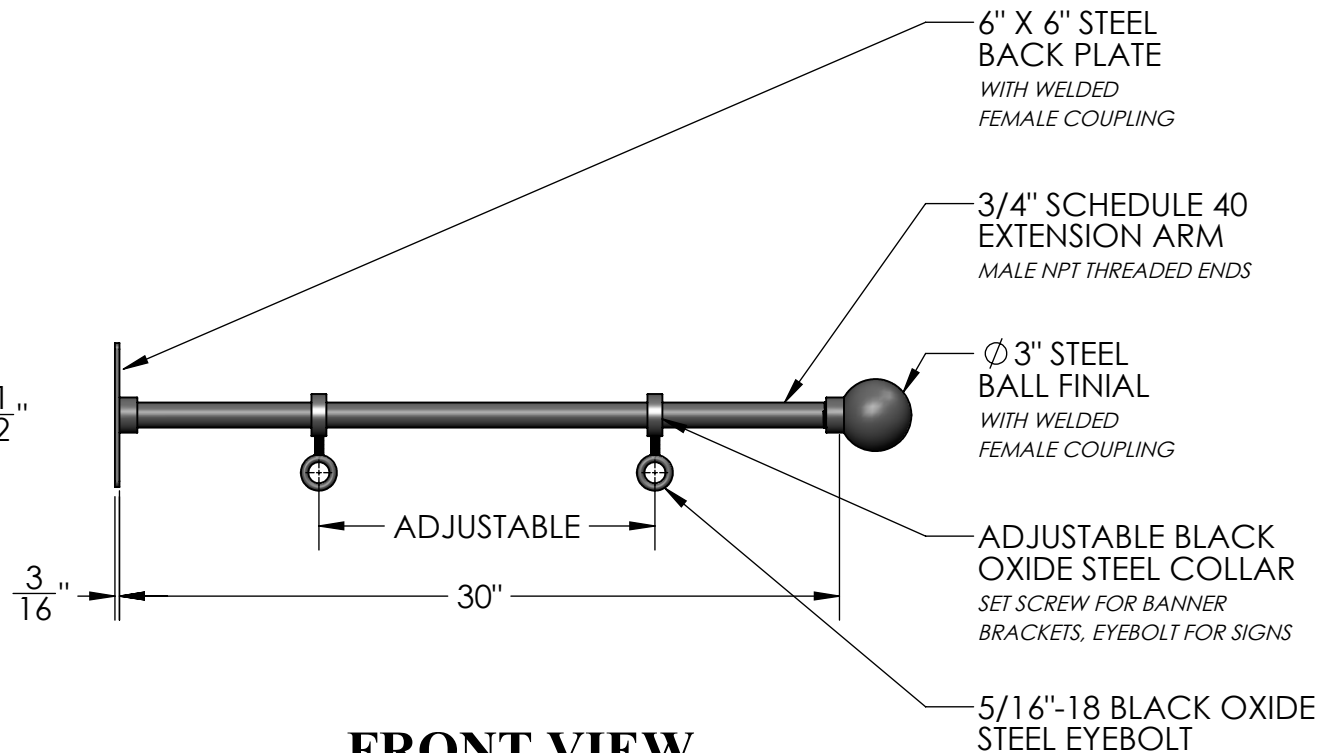
If you want a sign in a high traffic, noticeable location you'll need a secure way to mount or hang it. Our **modular sign systems** are an ideal way to hang your sign and attract new customers. Made from durable steel and covered with a powder coat finish, the bracket can accommodate business signs of various sizes. The clamshell clamp with a female coupling secures the adjustable arm to either the wall of your business or a square post, and a steel ball finial completes the bracket. Two eyebolts attached to steel collars secure your sign, but also allows to you move it along the arm.

#### Modular Wall Mount Sign Bracket Kit features:

- Handmade in North America



**SIDE VIEW**



**FRONT VIEW**

Material: Steel

Scale: 1:8  
DB: CF  
Rev: A  
Order#:

Content: 30" Modular Wall Mount Sign Bracket Kit

PN: 404B-WM-30-WR-BF

Color/Finish: Textured Black Powder Coat

Customer Approval: \_\_\_\_\_

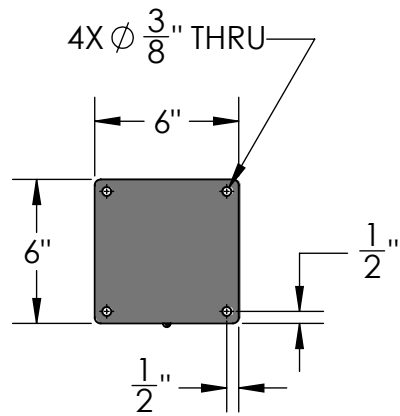
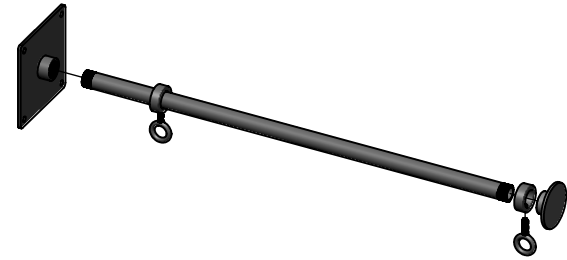
Design by Sign Bracket Store. All visual representations and designs are the intellectual property of Sign Bracket Store and protected under copyright law. Any duplication of this design is in direct violation of the law and will result in legal action.

© Copyright 2008-2016

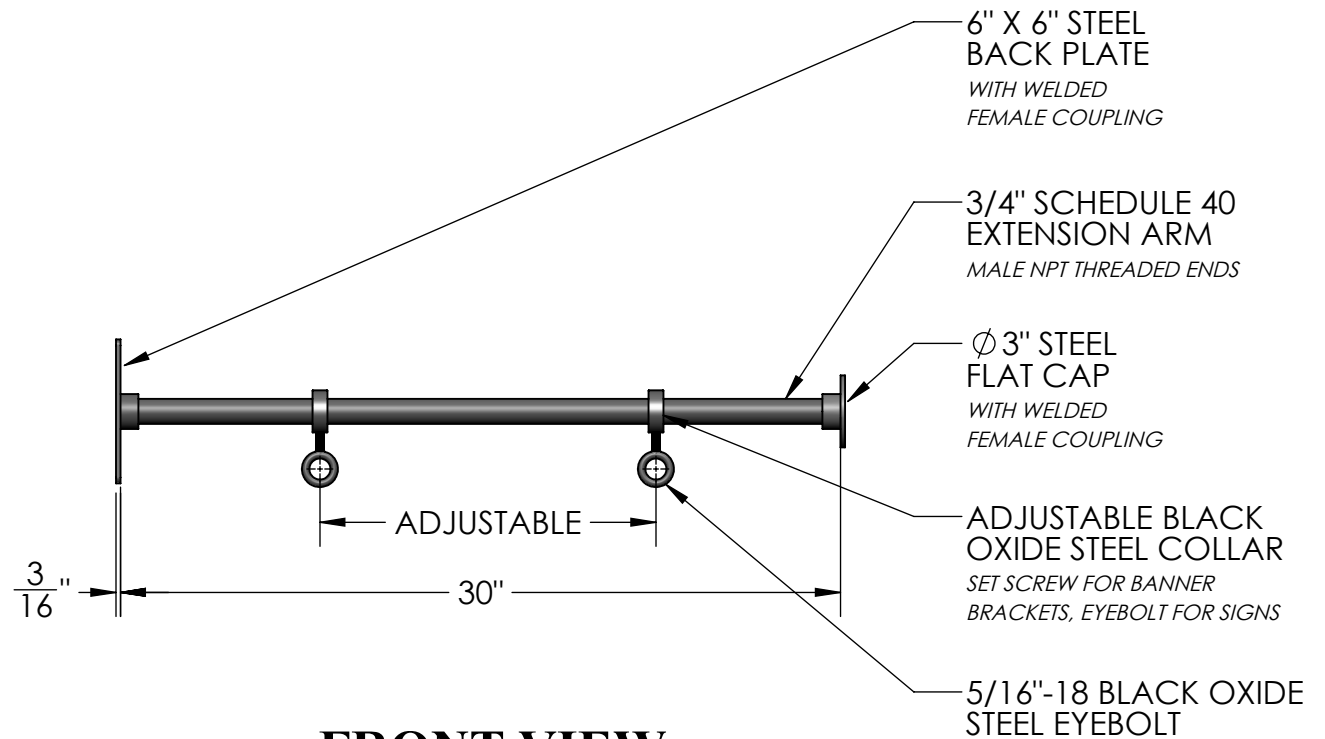


T: 888-919-7446

F: 760-603-0812



**SIDE VIEW**



**FRONT VIEW**

6" X 6" STEEL  
BACK PLATE  
WITH WELDED  
FEMALE COUPLING

3/4" SCHEDULE 40  
EXTENSION ARM  
MALE NPT THREADED ENDS

Ø 3" STEEL  
FLAT CAP  
WITH WELDED  
FEMALE COUPLING

ADJUSTABLE BLACK  
OXIDE STEEL COLLAR  
SET SCREW FOR BANNER  
BRACKETS, EYEBOLT FOR SIGNS

5/16"-18 BLACK OXIDE  
STEEL EYEBOLT

Material:  
Steel

Content: 30" Modular Wall Mount Sign Bracket Kit

Design by Sign Bracket Store. All visual representations and designs are the intellectual property of Sign Bracket Store and protected under copyright law. Any duplication of this design is in direct violation of the law and will result in legal action.



Scale: 1:8  
DB: CF  
Rev: A  
Order#:

PN: 404B-WM-30-WR-FC

Color/Finish: Textured Black Powder Coat

Customer Approval: \_\_\_\_\_

© Copyright 2008-2016

T: 888-919-7446

F: 760-603-0812



# OBIA Blade Sign Grant 2021

## *Frequently Asked Questions*

### 1. Does the blade sign grant cover design of the sign?

**No.** Graphic design/artwork for sign is not covered by this grant program.

### 2. Is a Blade Sign the same as a Projecting Sign?

**Yes.** Blade signs are also called projecting signs or perpendicular signs. The Town of Orangeville calls them “Projecting Signs” so be sure to check the “Projecting Sign” sections of the Town of Orangeville’s Sign By-law under the proper zone type for your business address.

### 3. Do I need a sign permit?

**Yes.** The Town of Orangeville requires a permit for blade (projecting) signs under the Sign By-Law. If your business is located in the Heritage District (check map on page 37 of the Sign By-Law), more rules apply to you (pages 21-25 of the Sign By-Law).

- **You can find the Town of Orangeville Sign By-law here:**  
<https://www.orangeville.ca/en/town-hall/resources/Documents/Bylaws/C2013-028.pdf>
- **You can find details about the Town of Orangeville Sign Permit application process here:**  
<https://www.orangeville.ca/en/town-hall/sign-permits.aspx?mid=53841>

### 4. Where can I find the Town of Orangeville Sign Permit Application?

**Here:** <https://www.orangeville.ca/en/town-hall/resources/Documents/Sign-Permit-Application.pdf>

### 5. Do I need a Road Occupancy Permit?

**Maybe.** Depending on where your business is located, you may need a Road Occupancy Permit for the installation of the sign. A permit is required

if the sign installer installs the sign from the public sidewalk versus private property.

**6. I would like to use my business name or my logo for the sign, is this OK?**

**Maybe.** To qualify for the grant, the sign must clearly indicate what your business sells/offers. Blade signs are used to communicate what is **inside** the business so visitors can easily identify what you sell. For this reason, we recommend using an easy-to-read font that identifies your main business focus. You can still include your business name or logo, but it should be smaller or secondary to **what** you sell.

- **Example:** “Café & Smoothies” instead of just “EUPHORIA”
- **Example:** “Vintage Home & Garden” instead of just “*Esumen*”
- **Example:** “Café & Patisserie” instead of just “**Le Finis**”

**7. Can I choose to go with a different company and/or design for my frame, outside of the options listed in the grant application documents?**

**Yes!** Applicants can go with another company to manufacture one of the pre-approved designs or you can go with a different sign design.

- If choosing one of the pre-approved designs, the sign frames must adhere to the engineering specifications included in the grant application in order to qualify for the Fast-Track process because these pre-approved designs have already undergone the frame approval process with the Town to speed up your application.
- All other designs need to be approved by Heritage Orangeville and The Town of Orangeville.

**8. I'd like to purchase my sign from a local business. Are there any local sign companies that can make my blade sign or install my sign for me?**

**Yes!** Here is a list of local sign companies who may be able to assist you:

- **Letter Rip**  
Address: Caledon, ON L7K 1T1  
Phone: [\(519\) 941-5108](tel:(519)941-5108)
- **McCarthy Signs Co. Ltd**  
Address: 110 Centennial Rd, Shelburne, ON L9V 2Z4  
Phone: [\(519\) 925-3884](tel:(519)925-3884)  
<https://mccarthysigns.com/>
- **Sign Needs**  
Address: 48 Centennial Rd, Orangeville, ON L9W 3T4  
Phone: [\(519\) 940-0099](tel:(519)940-0099)  
<http://www.signneeds.ca/>
- **Broadway Engraving & Signs**  
Address: 325 Broadway, Orangeville, ON L9W 1L4  
Phone: [\(519\) 941-5683](tel:(519)941-5683)  
<http://www.broadwayengraving.ca/>

**9. Will the BIA pay the Town (for my permit fee) and the sign company (for my sign and/or my sign installation) directly?**

**No.** The BIA will issue you a cheque for up to \$635 upon approval of your application. It could take 2-3 weeks before you receive your cheque.

**10. Why are the frame price estimates in USD?**

**Quoted prices are for stock items from the Sign Bracket Store website.** Similar designs can be custom ordered from Red Iron Designs or local sign companies, but you will need to ask those companies for prices.

**11. More questions?**

**Contact us!** Please do not hesitate to contact Alison at [info@downtownorangeville.ca](mailto:info@downtownorangeville.ca) or (519) 942-0087